

Technical brochure

Programmable controller MMIGRSCC



Danfoss' range of universal MCX programmable controllers offers the functionality and reliability you need to get the best out of your heating, ventilation, air-conditioning and refrigeration (HVAC/R) equipment. With the MCX range, Danfoss is widening the concept of programmability and applying it to as many environments as possible

MMIGRSCC is MCX's family remote interface. It's fitted with a graphic display that allows a complete customization of the user interface. The connection with every unit of the MCX range is made through the CANbus network. All the information about the user interface is loaded inside the MCX controller. MMIGRSCC is powered from the controller which it is connected to and automatically shows its user interface; but it can also show the interface of any other device connect to the same network

Features MMIGRSCC

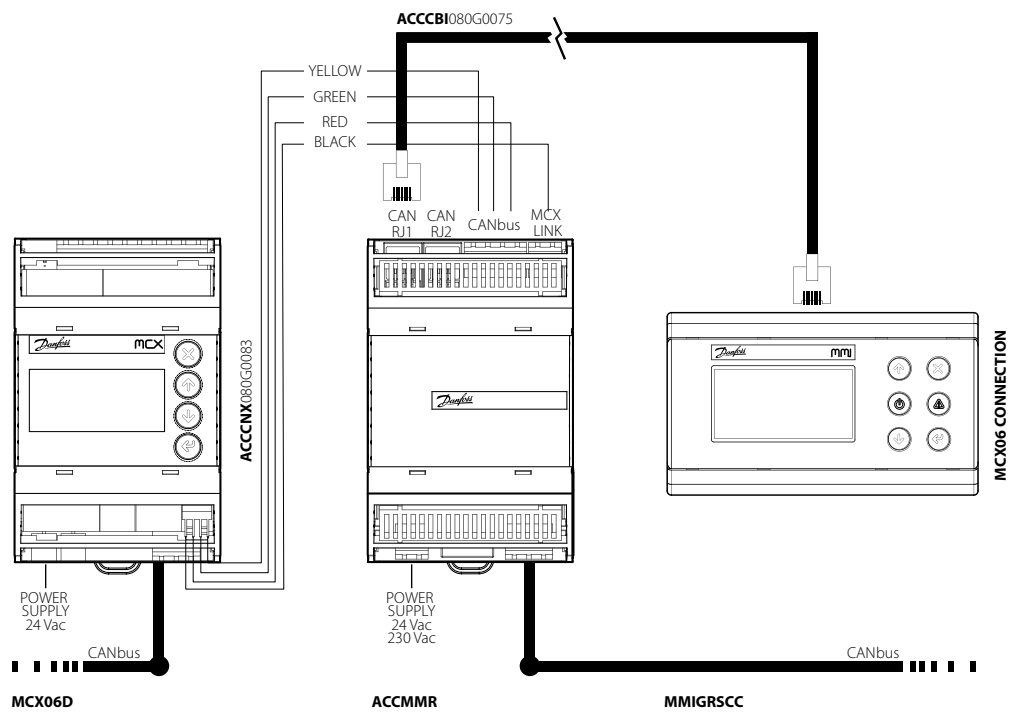
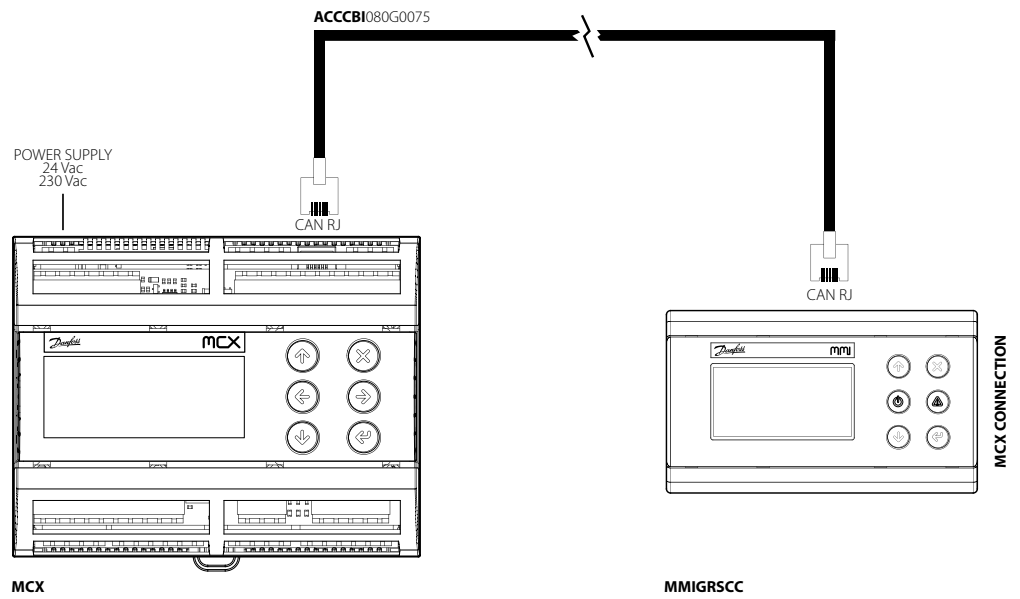
- Full graphic LCD display, 128x64 dots resolution
- Easy connection to MCX CANbus network through telephone plug
- No need to be programmed: information about user interface is loaded from the MCX controller
- Powered by the MCX which it is connected to
- Dimensions 88x150 mm
- Panel and wall mounting
- IP64 protection rating on panel version
- 2 dedicated keys for easy access to alarm and on/off functions
- 3 coloured back lighted keys: red, orange and green



General features

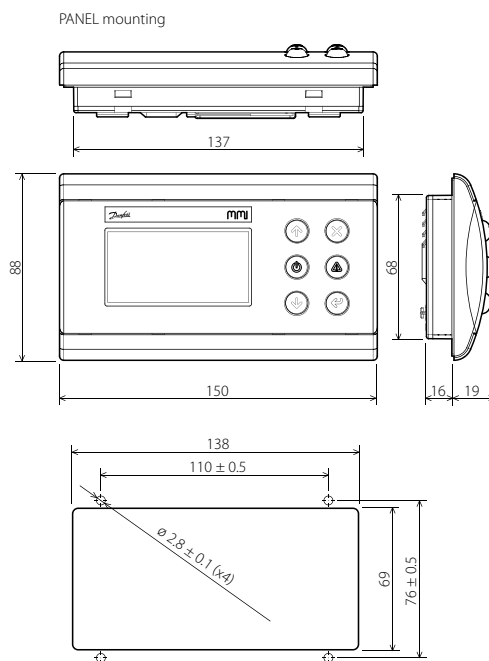
FEATURES	DESCRIPTION
Power supply	From the MCX through the RJ11 telephone connector
	12 Vdc \pm 20% external power supply
	12 Vac \pm 15% external transformers
	Maximum power consumption: 1.5 W
Plastic housing	Self extinguishing V0 according to IEC 60695-11-10 and glowing/hot wire test at 960 °C according to IEC 60695-2-12
Ball test	125 °C according to IEC 60730-1. Leakage current: \geq 250 V according to IEC 60112
Operating conditions	CE: -20T60 / UL: 0T55, 90% RH non-condensing
Storage conditions	-30T80, 90% RH non-condensing
Integration	In Class I and/or II appliances
Index of protection	IP64 ~ NEMA3R
Period of electric stress across insulating parts	Long
Resistance to heat and fire	Category D
Immunity against voltage surges	Category I
Software class and structure	Class A
Approvals	CE compliance: This product is designed to comply with the following EU standards: - Low voltage guideline: 73/23/EEC - Electromagnetic compatibility EMC: 89/336/EEC and with the following norms: <ul style="list-style-type: none"> • EN61000-6-1, EN61000-6-3 (immunity for residential, commercial and light-industrial environments) • EN61000-6-2, EN61000-6-4 (immunity and emission standard for industrial environments) • EN60730 (Automatic electrical controls for household and similar use)
	UL approval: - UL file E31024

**Connection diagram:
MCX and MCX06 connection**



Connection

CONNECTORS	TYPE	DESCRIPTION
CAN connector	6/6 way telephone RJ11 plug type	

Dimensions

User interface

TYPE	FEATURES	DESCRIPTION
LCD display	Display	Graphical LCD blue transmissive
	Backlight	White LED backlight adjustable via software
	Contrast	Adjustable via software
	Format	128x64 dots
	Active visible area	66.5x33.2 mm
Keyboard	Number of keys	6, 3 of them with respectively green, red, orange LEDs that can be individually managed via software
	Keys function	Set by the application software
Mounting	Panel mounting	(see the drilling template in figure), using the screws supplied in the packaging

Ordering

DESCRIPTION	CODE NR.
MMIGRS, REMOTE DISPLAY, PANEL, CLOSE CONTROL, I	080G0174
MMIGRS, REMOTE DISPLAY, WALL, CLOSE CONTROL, S	080G0273

080G0174 is an industrial pack code (I). Pieces per pack 27

Accessories

DESCRIPTION	CODE NR.
ACCCNX, WIRED CONNECTORS FOR MCX06D TO MMIGRS, 2m CABLE	080G0083
ACCCBI, TELEPHONE CABLE USER INTERFACE CONNECTOR, 0.8m CABLE	080G0074
ACCCBI, TELEPHONE CABLE USER INTERFACE CONNECTOR, 1.5m CABLE	080G0075
ACCCBI, TELEPHONE CABLE USER INTERFACE CONNECTOR, 3m CABLE	080G0076
ACCCBI, TELEPHONE CABLE USER INTERFACE CONNECTOR, 6m CABLE	080G0077